

TYPE:

CATALOG#:

HALO®

DESCRIPTION

The H99T is a small aperture housing for providing accent and task lighting.

APPLICATION

The H99T is designed for use in non-insulated ceiling or for insulated ceilings where insulation can be kept 3" from all sides of the housing.

DESIGN FEATURES

A---Housing

Die-stamped 20 gauge CRS with white powder coat finish.

B---Plaster Frame

Housing is secured in plaster frame with spring barbs. The housing can be adjusted in the plaster frame to adjust for different ceiling materials. The housing can be removed from the plaster frame to provide access to the junction box.

C---Junction Box

U.L. listed for through branch circuit wiring. Positioned to accommodate straight conduit runs. Four conduit knockouts are uniform 1/2" size with true pryout slots. Four Romex pryouts with integral strain relief also included.

D---Bar Hangers

Pre-installed, captive bar hangers allow housing to be positioned at any point within a

24" joist span. Score lines provided for easy field shortening for 12" joists. Unique arrowhead design provides "nailless" installation. Bar hangers can be repositioned 90°. Hanger Bars fit onto T-bar spline for quick alignment.

E---Socket

Fixed position porcelain socket with nickel plated brass screw shell provides consistent lamp positioning.

F---Thermal Protector

Self resetting thermal protector deactivates fixture if overheating occurs due to improper lamping or misapplied insulation.

Labels

- UL Listed for Damp Location
- UL listed for Feed Through
- IP Rated
- CSA Certified

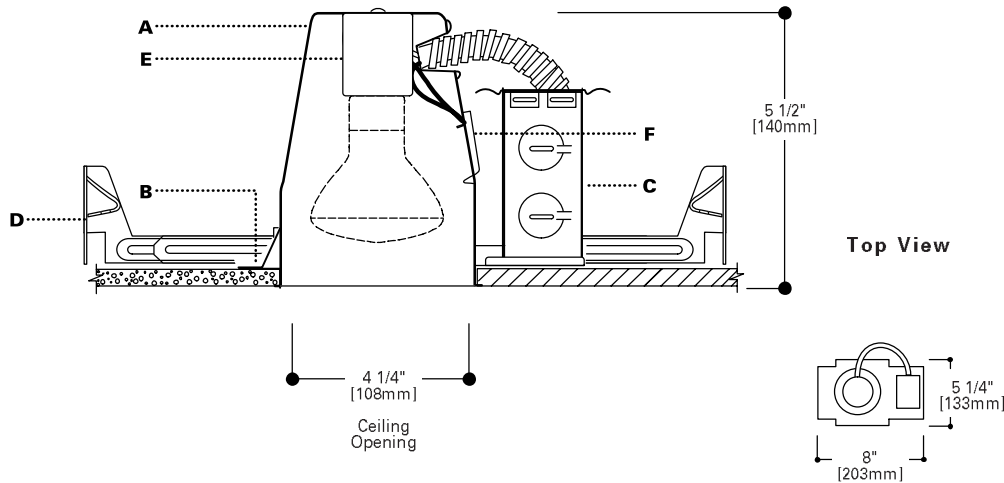


H99T

4" Non-Insulated Ceiling Recessed Housing

4" TRIMS

FOR USE IN NON-INSULATED CEILINGS OR INSULATED CEILINGS WHERE INSULATION CAN BE KEPT 3" FROM ALL SIDES OF FIXTURE



Ordering information on reverse

TRIMS

ORDERING INFORMATION

SAMPLE NUMBER: H99T-999P

Order housing, trim and accessories separately.

Housing

H99T=4" Non-Insulated Ceiling Small Aperture Housing

Trims

Accessories

REFLECTORS



999

Specular Reflector Cone
50W R20, 40W R16, 50W PAR20, 40W A19
 999=Specular Clear
 999RG=Residential Gold
 999MB=Specular Black
 999SL=Specular Clear with Silver Trim Ring
 OD: 5 1/16" (129mm)

BAFFLES



993

Coilex Baffle with Die Cast Trim Ring
50W R20, 40W R16, 50W PAR20
 993P=Black Baffle with White Trim Ring
 993PB=Black Baffle with Polished Brass Trim Ring
 993W=White Baffle with White Trim Ring
 993SL=Black Baffle with Silver Trim Ring
 OD: 5 1/16" (129mm)

ADJUSTABLES



996

Eyeball - 15° Tilt
50W PAR20
 996P=White Eyeball
 996SL=Silver Eyeball
 OD: 5 1/16" (129mm)



998

Eyeball - 30° Tilt
40W R16, 60W PAR16
 998P=White Eyeball
 998PB=Polished Brass Eyeball
 OD: 5 1/16" (129mm)

OPEN



942

Metropolitan Empire
50W PAR20, 50W R20
 942B=Brass Trim
 OD: 5 1/16" (129mm)



945

Metropolitan Ice Light
50W PAR20, 50W R20
 945=Clear Frosted
 945BLUE=Blue Frosted
 OD: 5 5/16" (135mm)



946

Metropolitan Deco
50W PAR20, 50W R20
 946BC=Green Tint Rings with Black Chrome Metal Body
 946PB=Green Tint Rings with Polished Brass Metal Body
 OD: 5 5/8" (143mm)



990

Pinhole Trim
50W R20, 40W R16, 50W PAR20
 990P=White Die Cast Trim
 990SL=Silver Die Cast Trim
 OD: 5 1/16" (129mm)

WALL WASH



992

Wall Wash with Baffle
50W R20, 40W R16, 40W A19
 992P=White Scoop and Trim Ring, Black Baffle
 992W=White Scoop and Trim Ring, White Baffle
 992SL=Silver Scoop and Trim Ring, Black Baffle
 OD: 5 1/16" (129mm)

Step Down Transformer

Steps 277V line voltage down to 120V fixture operating voltage. 150VA max. H277=150VA Max.

Note: Specifications and Dimensions subject to change without notice.

Visit our web site at www.cooperlighting.com